

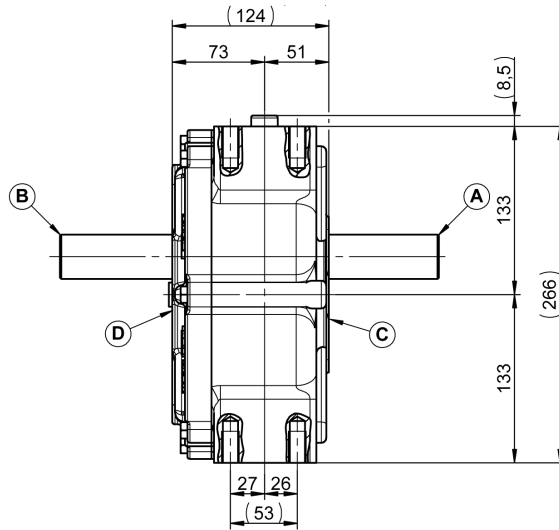
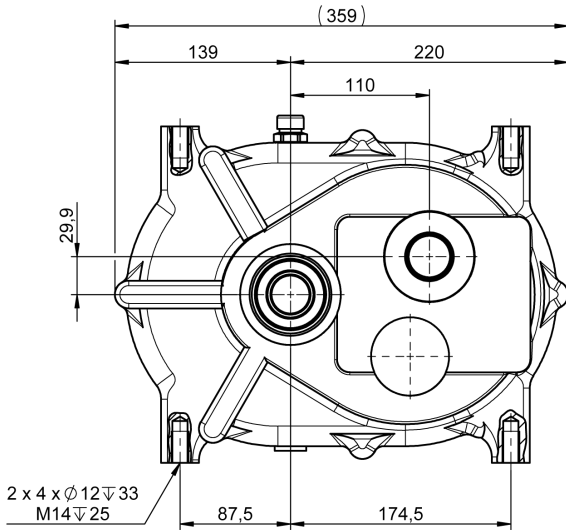


RM390 BOITIER EN LIGNE

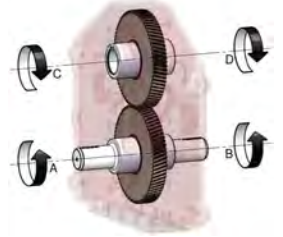
RM390 LINEAR GEARBOX



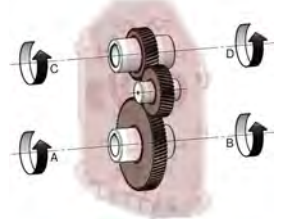
Avec reniflard / With breather plug



N° P27



N° P28



P28 : SANS INVERSION / WITHOUT INVERTER

P27 : INVERSION / INVERTER



| RAPPORT RATIO | Ø | T/MN - RPM | A - B | | | C - D | |
|---------------|--------------|------------|---------|----|------|------------|------|
| | | | CV - HP | KW | NM | T/MN - RPM | NM |
| 1/1.85 | 1"3/8 (6) M | 1000 | 121 | 89 | 867 | 542 | 1601 |
| | 1"3/4 (6) M | | | | | | |
| | 1"3/4 (20) M | | | | | | |
| 1.85/1 | Ø40 M | 540 | 121 | 89 | 1604 | 997 | 869 |
| | Ø45 M | | | | | | |
| | 1"3/8 (6) F | | | | | | |